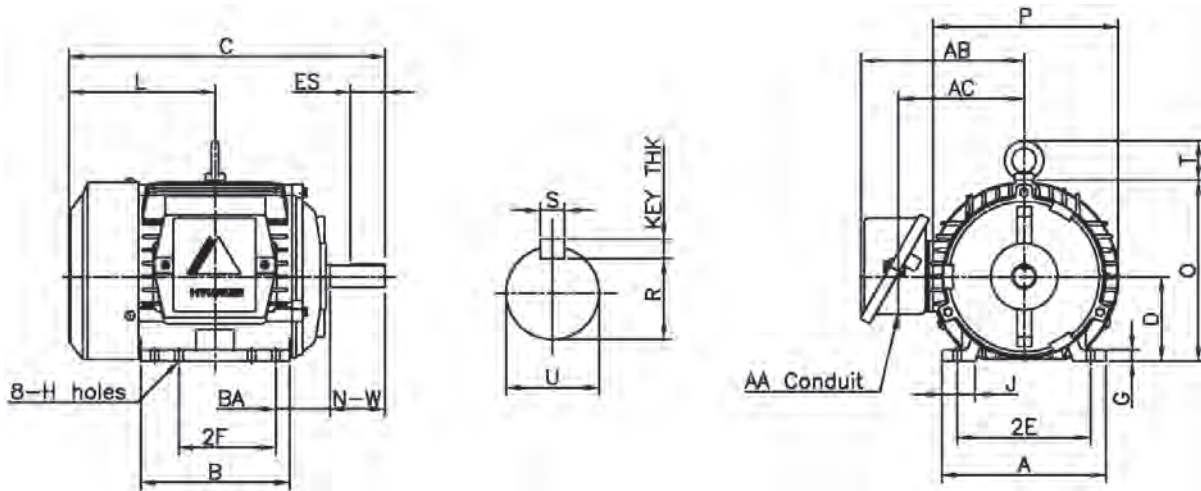


# HYUNDAI CROWN TRITON™ SERIES MOTORS

## PREMIUM EFFICIENCY

TEFC Enclosure ▪ Rigid Base

Three-Phase ▪ 208-230/460, 460 and 575 Volt



ALL DIMENSIONS IN INCHES

Frame	E	2F	H	BA	A	B	C	D	G	J	P	O	T	L	S	ES	R	N-W	U	AA	AB	AC
HHI-143T	2.75	4	0.34	2.25	6.78	6.15	13.05	3.5	0.47	1.36	7.64	7.46	1.63	6.05	0.188	1.41	0.771	2.25	0.875	0.75	6.73	5.21
HHI-145T	2.75	5	0.34	2.25	6.78	6.15	13.05	3.5	0.47	1.36	7.64	7.46	1.63	6.05	0.188	1.41	0.771	2.25	0.875	0.75	6.73	5.21
HHI-182T	3.75	4.5	0.41	2.75	8.66	5.52	15.52	4.5	0.62	1.74	9.64	9.32	1.63	7.78	0.25	1.78	0.986	2.75	1.125	0.75	7.47	6.23
HHI-184T	3.75	5.5	0.41	2.75	8.66	6.54	16.55	4.5	0.62	1.74	9.64	9.32	1.63	8.29	0.25	1.78	0.986	2.75	1.125	0.75	7.47	6.23
HHI-213T	4.25	5.5	0.41	3.5	9.85	6.77	18.86	5.25	0.6	1.52	11.26	11.02	1.63	9.22	0.321	2.41	1.201	3.38	1.375	1	8.23	7.34
HHI-215T	4.25	7	0.41	3.5	9.84	8.66	20.36	5.25	0.6	1.52	11.26	11.02	1.63	9.97	0.312	2.41	1.201	3.38	1.375	1	8.23	7.34
HHI-254T	5	8.25	0.53	4.25	11.3	9.56	23.13	6.25	0.72	1.93	12.76	12.75	2.01	10.75	0.375	2.91	1.416	4	1.625	1.25	11.88	9.08
HHI-256T	5	10	0.53	4.25	11.3	11.3	24.86	6.25	0.72	1.93	12.76	12.75	2.01	11.61	0.375	2.91	1.416	4	1.625	1.25	11.88	9.08
HHI-284T	5.5	9.5	0.53	4.75	12.6	11.18	26.21	7	0.78	2.2	14.19	14.28	2.01	12.09	0.5	3.28	1.591	4.62	1.875	1.5	12.43	9.64
HHI-284TS	5.5	9.5	0.53	4.75	12.6	11.18	24.84	7	0.78	2.2	14.19	14.28	2.01	12.09	0.375	1.91	1.416	3.25	1.625	1.5	12.43	9.64
HHI-286T	5.5	11	0.53	4.75	12.6	12.68	27.71	7	0.78	2.2	14.19	14.28	2.01	12.84	0.5	3.28	1.591	4.62	1.875	1.5	12.43	9.64
HHI-286TS	5.5	11	0.53	4.75	12.6	12.68	26.34	7	0.78	2.2	14.19	14.28	2.01	12.84	0.375	1.91	1.416	3.25	1.625	1.5	12.43	9.64
HHI-324T	6.25	10.5	0.66	5.25	14.33	13.78	31.07	8	1.11	2.36	15.84	16.19	2.41	14.57	0.5	3.91	1.845	5.25	2.125	2	15.2	11.21
HHI-324TS	6.25	10.5	0.66	5.25	14.33	13.78	29.57	8	1.11	2.36	15.84	16.19	2.41	14.57	0.5	2.03	1.591	9.75	1.875	2	15.2	11.21
HHI-326T(L)	6.25	12	0.66	5.25	14.33	15.74	33.03	8	1.11	2.36	15.84	16.19	2.41	15.55	0.5	3.91	1.845	5.25	2.125	2	15.2	11.21
HHI-326T	6.25	12	0.66	5.25	14.33	13.78	31.07	8	1.11	2.36	15.84	16.19	2.41	14.57	0.5	3.91	1.845	5.25	2.125	2	15.2	11.21
HHI-326TS	6.25	12	0.66	5.25	14.33	13.78	29.57	8	1.11	2.36	15.84	16.19	2.41	14.57	0.5	2.03	1.591	3.75	1.875	2	15.2	11.21
HHI-364T	7	11.25	0.66	5.88	16.14	14.92	34.01	9	0.98	2.72	18.23	18.5	2.8	16.13	0.625	4.28	2.021	5.88	2.375	3	17.13	13.82
HHI-364TS	7	11.25	0.66	5.88	16.14	14.92	31.88	9	0.98	2.72	18.23	18.5	2.8	16.13	0.5	2.03	1.591	3.75	1.875	2.5	13.82	13.18
HHI-365T	7	12.25	0.66	5.88	16.14	14.92	34.01	9	0.98	2.72	18.23	18.5	2.8	16.13	0.625	4.28	2.021	5.88	2.375	3	17.13	13.82
HHI-365TS	7	12.25	0.66	5.88	16.14	14.92	31.88	9	0.98	2.72	18.23	18.5	2.8	16.13	0.5	2.03	1.591	3.75	1.875	2.5	17.13	13.8
HHI-404T	8	12.25	0.81	6.62	18.43	16.46	39.42	10	1.18	3.03	20.16	20.79	3.55	18.68	0.75	5.65	2.45	7.25	2.875	3	20.28	14.85
HHI-405T	8	13.75	0.81	6.62	18.43	16.46	39.42	10	1.18	3.03	20.16	20.79	3.55	18.68	0.75	5.65	2.45	7.25	2.875	3	20.28	14.85
HHI-405TS	8	13.75	0.81	6.62	18.43	16.46	36.42	10	1.18	3.03	20.79	20.79	3.55	18.68	0.5	2.8	1.845	4.25	2.125	3	20.28	14.85
HHI-444T	9	14.5	0.81	7.5	20.51	19.21	45.21	11	1.42	3.07	22.4	23.19	4.33	20.96	0.875	6.93	2.88	8.5	3.375	3	21.26	18.03
HHI-444TS	9	14.5	0.81	7.5	20.51	19.21	41.46	11	1.42	3.07	22.4	23.19	4.33	20.96	0.625	3.03	2.021	4.75	2.375	3	21.26	18.03
HHI-445TS	9	16.5	0.81	7.5	20.51	19.21	45.21	11	1.42	3.07	22.4	23.19	4.33	20.96	0.875	6.93	2.88	8.5	3.375	3	21.26	18.03
HHI-445TS	9	16.5	0.81	7.5	20.51	19.21	41.46	11	1.42	3.07	22.4	23.19	4.33	20.96	0.625	3.03	2.021	4.75	2.375	3	21.26	18.03
HHI-447T	9	20	0.81	7.5	20.51	22.72	48.71	11	1.42	3.07	22.4	23.19	4.33	22.71	0.875	6.93	2.88	8.5	3.375	3	21.26	18.03
HHI-447TS	9	20	0.81	7.5	20.51	22.72	44.96	11	1.42	3.09	22.4	23.19	4.33	22.71	0.625	3.03	2.021	4.75	2.375	3	21.26	18.03
HHI-449T	9	25	0.81	7.5	20.51	27.72	53.83	11	1.42	3.07	22.4	23.19	4.33	25.33	0.875	6.93	2.88	8.5	3.375	3	21.26	18.03
HHI-449TS	9	25	0.81	7.5	20.51	27.72	50.08	11	1.42	3.09	22.4	23.19	4.33	25.33	0.625	3.03	2.021	4.75	2.375	3	21.26	18.03

Dimensions shown in this catalog are for general use only.  
For an exact drawing on a specific rating, please contact our sales office.

